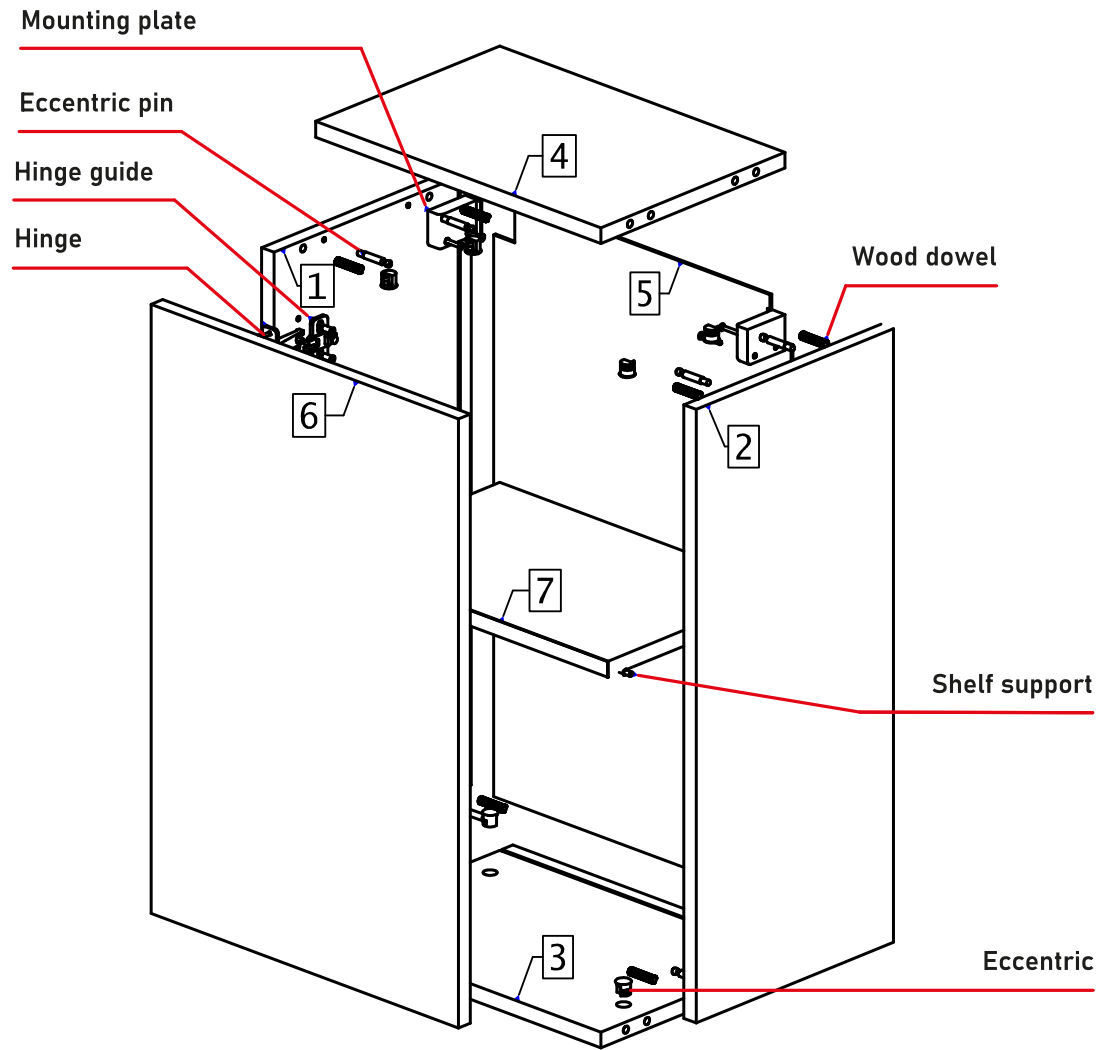
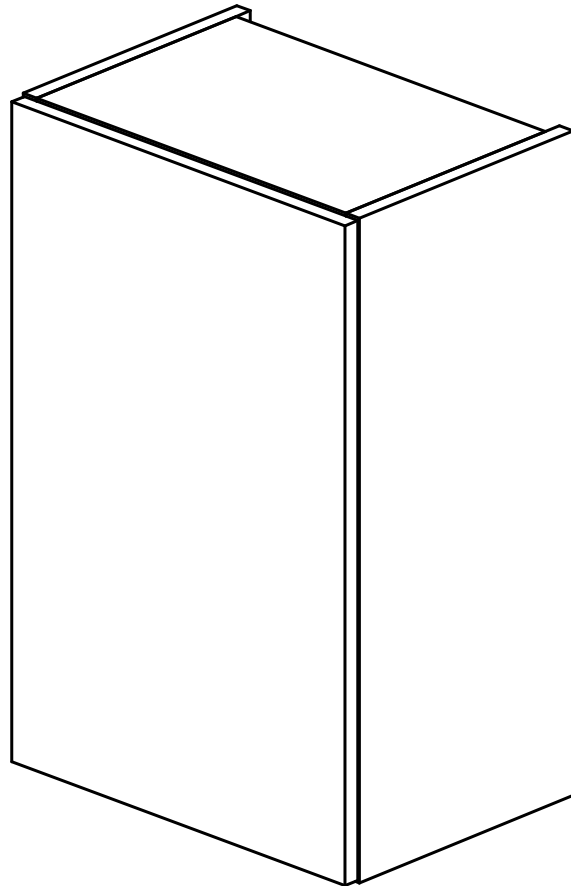




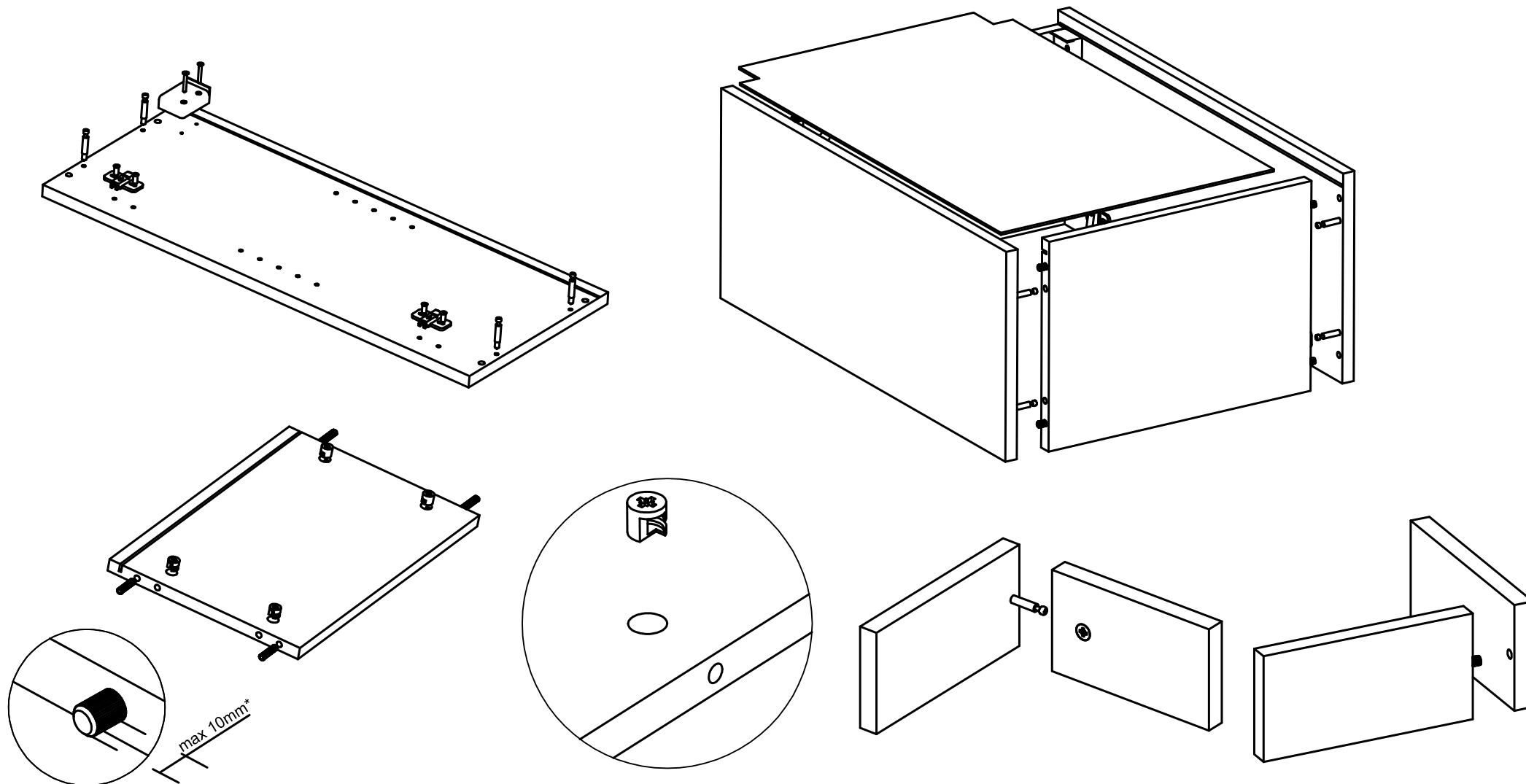
**STANDARD WALL CABINET**  
assembled with the use  
of eccentrics



1. Left side
2. Right side
3. Cabinet bottom panel
4. Cabinet top panel
5. Back wall
6. Front
7. Shelf



STANDARD WALL CABINET  
assembled with the use  
of eccentrics



\* The length of the wood dowel part projecting from an element should not exceed 10mm.



STANDARD WALL CABINET  
assembled with the use  
of eccentrics

